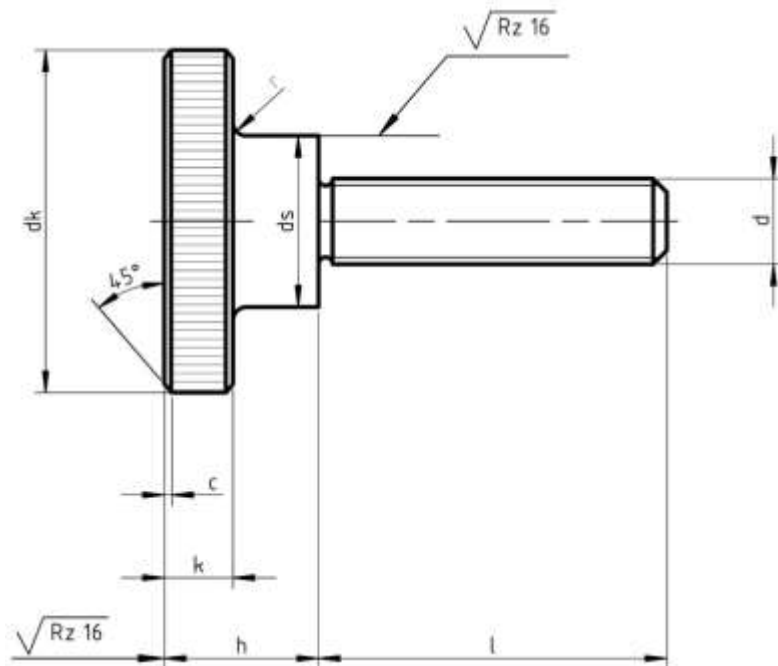


## Metric DIN 464 Knurled Thumb Screws, High Type

Visit our [online store](#) for product availability



Dimensions of Metric DIN 464 Knurled Thumb Screws, High Type

Thread d	M1	M1.2	M1.4	M1.6	M2	M2.5	M3	(M3.5)	M4	M5	M6	M8	M10	
P	0.3	0.25	0.3	0.35	0.4	0.45	0.5	0.6	0.7	0.8	1	1.25	1.5	
b	3	3.5	4	5	6	8	9	10	12	15	18	24	30	
c	Edges chamfered				0.3	0.3	0.4	0.4	0.4	0.5	0.6	0.6		
dk	Nominal	5.5	6	7	7.5	9	11	12	14	16	20	24	30	36
	max.	5.7	6.24	7.29	7.79	9.3	11.4	12.4	14.35	16.4	20.4	24.4	30.4	36.5
	min.	5.3	5.76	6.71	7.21	8.7	10.7	11.7	13.65	15.7	19.6	23.6	29.6	35.5

Aspen Fasteners 4807 Rockside Road, Suite 400, Independence, OH 44131 USA  
[www.aspenfasteners.com](http://www.aspenfasteners.com) | [aspensales@aspenfasteners.com](mailto:aspensales@aspenfasteners.com) | 1-800-479-0056

Thread d		M1	M1.2	M1.4	M1.6	M2	M2.5	M3	(M3.5)	M4	M5	M6	M8	M10
ds	Nominal = max.	2.8	3	3.5	3.8	4.5	5	6	7	8	10	12	16	20
	min.	2.6	2.75	3.2	3.5	4.2	4.7	5.7	6.64	7.64	9.64	11.6	15.6	19.5
h	Nominal	3.5	4	4.7	5	5.3	6.5	7.5	8.5	9.5	11.5	15	18	23
	max.	3.7	4.24	4.94	5.24	5.5	6.79	7.79	8.79	9.79	11.9	15.4	18.4	23.4
	min.	3.3	3.76	4.46	4.76	5.1	6.21	7.21	8.21	9.21	11.2	14.7	17.7	22.6
k	Nominal = max.	1.5	1.5	2	2	2	2.5	2.5	3	3.5	4	5	6	8
	min.	1.3	1.25	1.75	1.75	1.8	2.25	2.25	2.75	3.2	3.7	4.7	5.7	7.64
n	Nominal	0.3	0.4	0.4	0.4	0.5	0.6	0.8	0.8	1	1.2	1.6	2	2.5
	min.	0.4	0.46	0.46	0.46	0.6	0.66	0.86	0.86	1.06	1.26	1.66	2.06	2.56
	max.	0.5	0.6	0.6	0.6	0.7	0.8	1	1	1.2	1.51	1.91	2.31	2.81
r		0.5	0.5	0.5	0.5	0.5	0.5	0.5	0.5	0.5	1	1	2	2
t	min.	0.7	0.8	0.9	1	1.1	1.5	1.8	2	2.2	2.8	3.5	4.5	6
	max.	0.9	1	1.15	1.3	1.4	1.8	2.2	2.5					

All measurements are in mm

Metric DIN 464 are raised knurled head thumb screws which have a wide shallow cylindrical head with ridged (knurled) sides with an unthreaded shoulder immediately below the bearing surface. Metric thumb screws are designed for quick and convenient tightening and loosening by hand without the need of any tool or driver. The large head with the knurled grip allows the screw to be tightened or loosened with minimal external force. This feature makes the screw an ideal fastener for any device that require frequent assembly/disassembly. They are commonly used to fasten safety covers of electronic devices. They are typically inserted and tightened into pre-drilled tapped hole. Metric DIN 464 raised knurled head thumb screws are available in styles: full thread (type A), part thread (type B) and a slotted head (type Sz). These screws are available in steel as well as stainless steel A2 and A4. Aspen Fasteners offers over 500.000 unique fastener products from stock in inch and metric standard in a variety of materials and finishes. The following sizes of metric DIN 464 raised knurled head thumb screws are available for immediate shipping from stock: Diameters ranging from M3 to M10 up to 35mm long in steel and stainless steel A2 and A4. View parts by clicking on the following link: [DIN 464 raised knurled head thumb screws](#)

DIN (Deutsches Institut für Normung - German Institute for Standardization) standards are issued for a variety of components including industrial fasteners as metric DIN 464 raised knurled head thumb screws. The DIN standards remain common in Germany. Europe and globally even though the transition to ISO standards is taking place. DIN standards continue to be used for parts which do not have ISO equivalents or for which there is no need for standardization like DIN 464 raised knurled head thumb screws.

Aspen Fasteners 4807 Rockside Road, Suite 400, Independence, OH 44131 USA  
[www.aspenfasteners.com](http://www.aspenfasteners.com) | [aspenales@aspenfasteners.com](mailto:aspenales@aspenfasteners.com) | 1-800-479-0056

**1) Mechanical properties of stainless steel for metric DIN 464 raised knurled head thumb screws**

Stainless steels can be divided into three groups of steel - austenitic, ferritic and martensitic. Austenitic steel is by far the most common type (>90% of commercial fasteners). The steel groups and strength classes are designated by a four-digit sequence of letters and numbers (eg A2-70) as shown in the following table. DIN EN ISO 3506 governs screws and nuts made from stainless steel.

Steel group	Steel grade	Strength class	Screws, Nuts and Bolts			
			Tensile strength N/mm <sup>2</sup>	Tensile strength PSI	Dia range	Nut Load N/mm <sup>2</sup>
Austenitic	A2 and A4	50	500	70.000	<=M39	500
		70	700	100.000	<=M20	700
		80	800	118.000	<=M20	800

The tensile stress is calculated with reference to the tensile stress area (see DIN EN ISO 3506-1979). Nuts to be paired with same grade of stainless steel screws

Steel group	Property Strength class	Made From	Characteristics
Austenitic	50	A1, A2	Soft; cold worked, turned and soft pressed fasteners
	70	A2, A4	Cold worked, normal strength formed fasteners
	80	A2, A4	Extreme cold worked, high strength, special applications

**2) Chemical composition of stainless steel metric DIN 464 raised knurled head thumb screws**

Grade	USA Grade	Material designation	Material no.	C %	Si ≤ %	Mn ≤ %	Cr %	Mo %	Ni %
<b>A 2</b>	<b>304</b>	X 5Cr Ni 1810	1.4301	≤ 0.07	1.0	2.0	17.5 to 19.5	-	8.0 to 10.5
		X 2 Cr Ni 1811	1.4306	≤ 0.03	1.0	2.0	18.0 to 20.0	-	10 to 12.0
		X 8 Cr Ni 19/10	1.4303	≤ 0.07	1.0	2.0	17.0 to 19.0	-	11.0 to 13.0
<b>A 4</b>	<b>316</b>	X 5 Cr Ni Mo 1712	1.4401	≤ 0.07	1.0	2.0	16.5 to 18.5	2.0 to 2.5	10.0 to 13.0
		X 2 Cr Ni Mo 1712	1.4404	≤ 0.03	1.0	2.0	16.5 to 18.5	2.0 to 2.5	10 to 13

**3) Chemical composition of steel metric DIN 464 raised knurled head thumb screws**

PROPERTY CLASS	MATERIAL AND TREATMENT	CHEMICAL COMPOSITION LIMITS %				TEMPERING TEMP °C MIN.
		C		P	S	
		min.	max.	max.	max.	
4.6. 4.8. 5.8. 6.8	Low or medium carbon steel	-	0.55	0.05	0.06	-
8.8	Medium carbon steel quenched. tempered	0.25	0.55	0.04	0.05	425
9.8	Medium carbon steel quenched. tempered	0.25	0.55	0.04	0.05	425
10.9	Medium carbon steel additives e.g. boron. Mn. Cr or Alloy steel - quenched. tempered	0.20	0.55	0.04	0.05	425
12.9	Alloy steel - quenched. tempered	0.20	0.50	0.035	0.035	380

Aspen Fasteners 4807 Rockside Road, Suite 400, Independence, OH 44131 USA  
[www.aspenfasteners.com](http://www.aspenfasteners.com) | [aspensales@aspenfasteners.com](mailto:aspensales@aspenfasteners.com) | 1-800-479-0056

#### 4) Mechanical properties of steel for metric DIN 464 raised knurled head thumb screws

MECHANICAL PROPERTY		PROPERTY CLASS									
		4.8	5.6	5.8	6.8	8.8		9.8	10.9	12.9	
						Up to M 16	Over M 16				
Tensile Strength (Rm. N/mm <sup>2</sup> )	nom.	400	500		600	800		900	1000	1200	
	min.	420	500	520	600	800	830	900	1040	1220	
Vickers Hardness	min.	130	155	160	190	250	255	290	320	385	
	max.	250				320	336	360	380	435	
Brinell Hardness	min.	124	147	152	181	319	242	266	295	353	
	max.	238				385	319	342	363	412	
Rockwell Hardness	min. HR	71	79	82	89	-					
	HRC	-	-	-	-	20	23	28	32	39	
	HR	95				99	-				
	max. HRC	-	-	-	-	32	34	37	39	44	
Yield Stress ReL. N/mm <sup>2</sup>	nom.	320	300	400	480	-					
	min.	340	300	420	480	-					
Stress at permanent set limit N/mm <sup>2</sup>	nom.	-				640		720	900	1080	
	min.	-				640	660	720	940	1100	

#### Disclaimer

Dimensional data and technical information for metric DIN 464 raised knurled head thumb screws was obtained from publicly available sources and not acquired through standards agencies. It has been completed and compiled for reference purposes only; where discrepancies are found they are subject to change without notice. Aspen Fasteners makes no warranties or representations regarding the accuracy and validity of the compiled information and data. Contact the relevant standards authorities for accurate and detailed information.