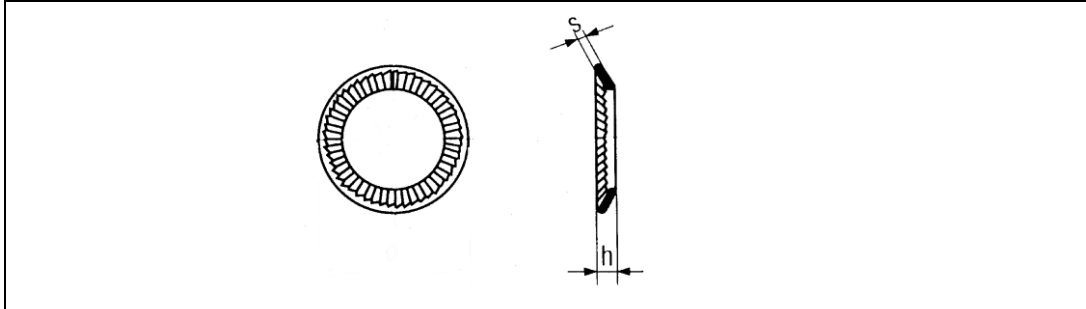


**Product Dimensions and Technical Specifications**

**METRIC SCHNORR® RIB SPRING LOCK WASHERS, REGULAR DUTY**



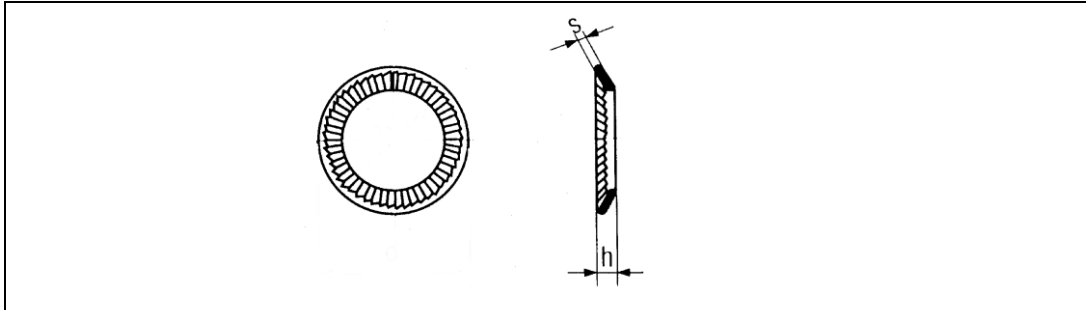
“S” Series - Regular Duty  
Genuine Schnorr® - Spring Steel  
Available in Black and Mechanically Zinc Plated

NOM. SIZE SCREW DIA.	I.D. (mm)	O.D. (mm)	s	h
<b>S1.6</b>	1.7	3.2	0.35	0.6
<b>S2</b>	2.2	4	0.35	0.6
<b>S2.5</b>	2.7	4.8	0.45	0.9
<b>S3</b>	3.2	5.5	0.45	0.9
<b>S3.5</b>	3.7	6	0.45	0.9
<b>S4</b>	4.3	7	0.5	1
<b>S5</b>	5.	9	0.6	1.1
<b>S6</b>	6.4	10	0.7	1.2
<b>S8</b>	8.4	11	0.8	1.4
<b>S10</b>	10.5	16	1	1.6
<b>S12</b>	12	18	1.1	1.7
<b>S14</b>	15	22	1.2	2
<b>S16</b>	17	24	1.	2.1
<b>S18</b>	19	27	1.5	2.3
<b>S20</b>	21	30	1.5	2.4
<b>S22</b>	23	33	1.5	2.5
<b>S24</b>	25.6	36	1.8	2.7
<b>S27</b>	28.6	39	2	2.9
<b>S30</b>	31.6	45	2	3.2

All measurements are in mm

Aspen Fasteners 4807 Rockside Road, Suite 400, Independence, OH 44131 USA  
[www.aspenfasteners.com](http://www.aspenfasteners.com) | [aspensales@aspenfasteners.com](mailto:aspensales@aspenfasteners.com) | 1-800-479-0056

## METRIC SCHNORR® RIB SPRING LOCK WASHERS, HEAVY DUTY



“VS” Series - Heavy Duty  
Genuine Schnorr® - Spring Steel  
Available in Black and Mechanically Zinc Plated

NOM. SIZE SCREW DIA.	I.D. mm	O.D. mm	s	h
<b>VS 5</b>	5.	9	1	1.3
<b>VS 6</b>	6.4	10	1	1.4
<b>VS 8</b>	8.4	11	1.2	1.7
<b>VS 10</b>	10.5	16	1.5	2
<b>VS 12</b>	12	18	1.5	2.1
<b>VS 14</b>	14	22	1.5	2.2
<b>VS 16</b>	16	24	2	2.6
<b>VS 18</b>	18	27	2	2.7
<b>VS 20</b>	20	30	2	2.8
<b>VS 22</b>	22	33	2	2.9
<b>VS 24</b>	25.6	36	2.5	3.3
<b>VS 27</b>	28.6	39	2.5	3.4
<b>VS 30</b>	31.6	45	2.5	3.6

All measurements are in mm

Aspen Fasteners 4807 Rockside Road, Suite 400, Independence, OH 44131 USA  
[www.aspenfasteners.com](http://www.aspenfasteners.com) | [aspenales@aspenfasteners.com](mailto:aspenales@aspenfasteners.com) | 1-800-479-0056



All your fastener needs from a single source

Metric SCHNORR® rib spring safety washers / lock washers are effective locking devices for screws and bolts based on the structure of a disc spring. The trapezoidal cross-section and serrations on both sides provides the advantage of a lock washer through friction and mechanical locking. It also imparts the advantages of a disc spring better maintaining pretension forces at a bolted joint. Metric SCHNORR® rib spring safety washers/lock washers are available in two versions: The standard Metric SCHNORR® rib spring safety washers/lock washers type "S" which is available for screws of sizes between M1.6 to M30 and of the property classes up to 8.8.

For screws of property classes 8.8 and 10.9 where higher pretension forces might be necessary, the reinforced heavy duty metric SCHNORR® rib spring safety washers/lock washers type "VS" are recommended.

Aspen Fasteners offers over 500.000 unique fastener products from stock in inch and metric standard in a variety of materials and finishes. View parts by clicking on the following link: [Metric SCHNORR® rib spring safety washers/lock washers](#).

#### Disclaimer

Dimensional data and technical information for metric SCHNORR® rib spring safety washers/lock washers was obtained from publicly available sources and not acquired through standards agencies. It has been completed and compiled for reference purposes only; where discrepancies are found they are subject to change without notice. Aspen Fasteners makes no warranties or representations regarding the accuracy and validity of the compiled information and data. Contact the relevant standards authorities for accurate and detailed information.

Aspen Fasteners 4807 Rockside Road, Suite 400, Independence, OH 44131 USA  
[www.aspenfasteners.com](http://www.aspenfasteners.com) | [aspensales@aspenfasteners.com](mailto:aspensales@aspenfasteners.com) | 1-800-479-0056

Headquarters: Independence OH USA; Montreal QC Canada;

Distribution Centers: Boston MA; Chicago IL; Cincinnati KY; Dallas TX; Denver CO; Houston TX; Jersey City NJ; Los Angeles CA; Miami FL; San Francisco CA; Seattle WA; Washington VA; Toronto ON; Calgary AB; Vancouver BC; Jiutepec (Temixco); Mexico City; Monterrey