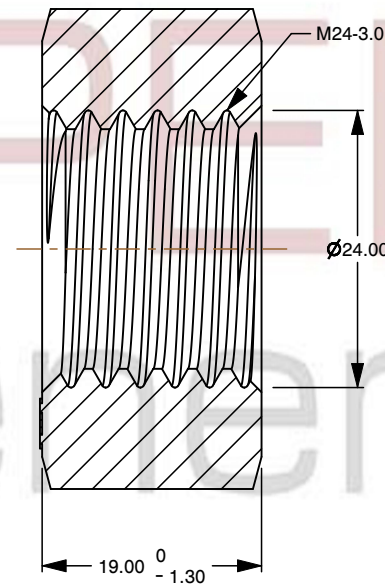
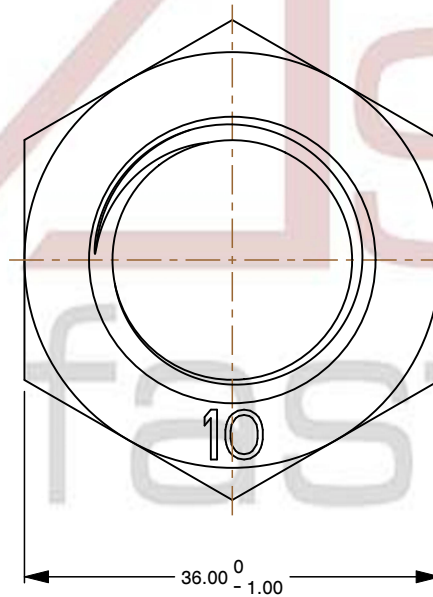
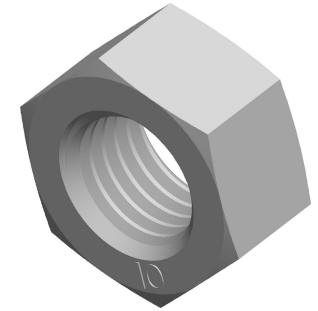


Specifications for: M24-3.0 DIN 934 / ISO 4032, Metric, Hex Finished Nuts, Class 10 Steel, Zinc Plated

Notes:

- Category: Hex Finished Nuts
- Drive Style: External Hex Drive
- System of Measurement: Metric
- Thread Length: Full Thread
- Thread Direction: Right-Hand Thread
- Material: Steel
- Material Grade: Class 10 Steel
- Material Processes: Heat Treated, Quenched and Tempered
- Coating: Zinc Plated
- Coating Color: Clear
- Hardness Rating: Rockwell C26-C36
- Standards and Specifications: DIN 934 / ISO 4032



This file and any associated information and specifications are provided for reference and evaluation purposes only and is subject to change without notice. Aspen Fasteners Inc. makes no representations, warranties, or guarantees as to the appropriateness, accuracy, completeness, or suitability for any purpose of the file, information or specifications. You are solely responsible for the use of the file, information, or specifications.

This document is the property of Aspen Fasteners Inc. and the information it contains may not be reproduced, disclosed, or shared with any third party without the expressed written permission of Aspen Fasteners Inc.

SCALE 1.528

PRODUCT NAME
M24-3.0 DIN 934 / ISO 4032, Metric,
Hex Finished Nuts, Class 10 Steel, Zinc Plated

PART NUMBER: ME017-2430

UNIT
MILLIMETERS

ISSUED
2025-01-26

SHEET 1 of 1