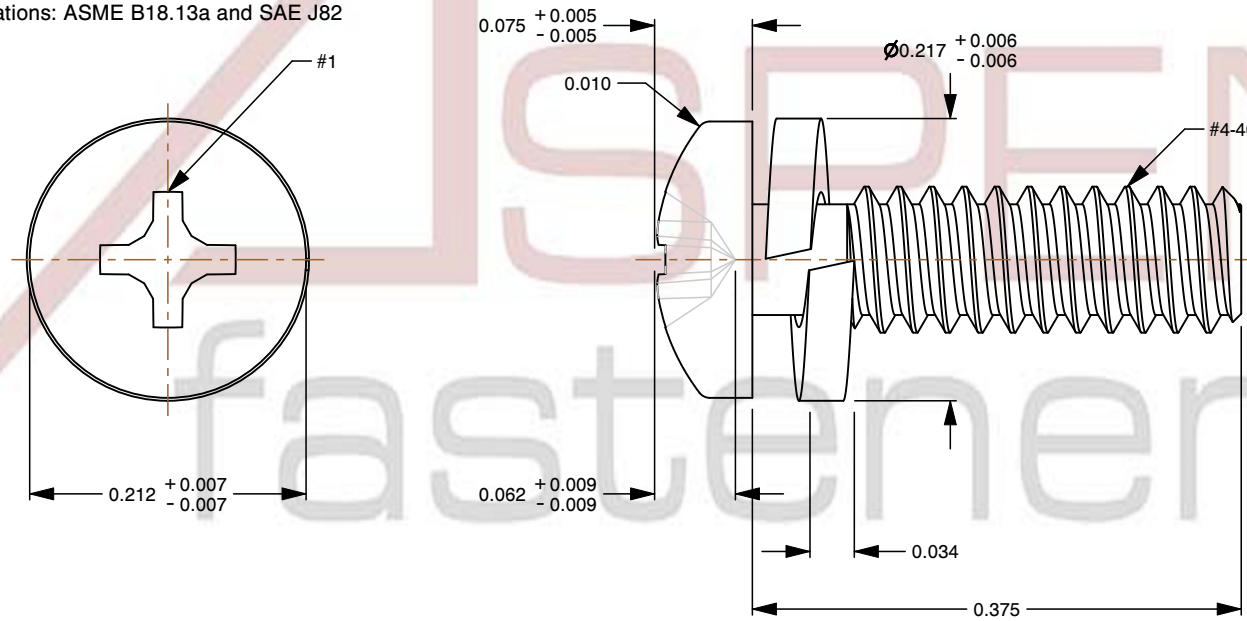
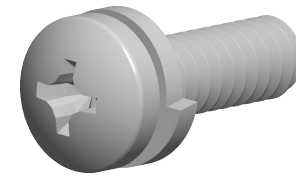


**Specifications for: #4-40 X 3/8" SEMS Split Lock Washer Machine Screws, Pan Phillips Drive, Steel, Zinc Plated and Baked**

Notes:

- Category: Machine Screws
- System of Measurement: Inch
- Form and Design: SEMS Screws Pre-Assembled with a Captive Lock Washer
- Head Style: Pan Head
- Head Style Detail: Free-Spinning Split Lock Washer
- Drive Style: Cruciform Recess Drive
- Drive Detail: Phillips Type H
- Thread Length: Full Thread
- Thread Direction: Right-Hand Thread
- Material: Steel
- Coating: Zinc Plated and Baked
- Coating Color: Clear
- Origin: Origin Undefined
- Standards and Specifications: ASME B18.13a and SAE J82



This file and any associated information and specifications are provided for reference and evaluation purposes only and is subject to change without notice. Aspen Fasteners Inc. makes no representations, warranties, or guarantees as to the appropriateness, accuracy, completeness, or suitability for any purpose of the file, information or specifications. You are solely responsible for the use of the file, information, or specifications.

This document is the property of Aspen Fasteners Inc. and the information it contains may not be reproduced, disclosed, or shared with any third party without the expressed written permission of Aspen Fasteners Inc.

PRODUCT NAME  
#4-40 X 3/8" SEMS Split Lock Washer  
Machine Screws, Pan Phillips Drive,  
Steel, Zinc Plated and Baked

UNIT  
INCHES

ISSUED  
2026-06-03

SCALE 6.790

PART NUMBER: SC235-440X38

SHEET 1 of 1