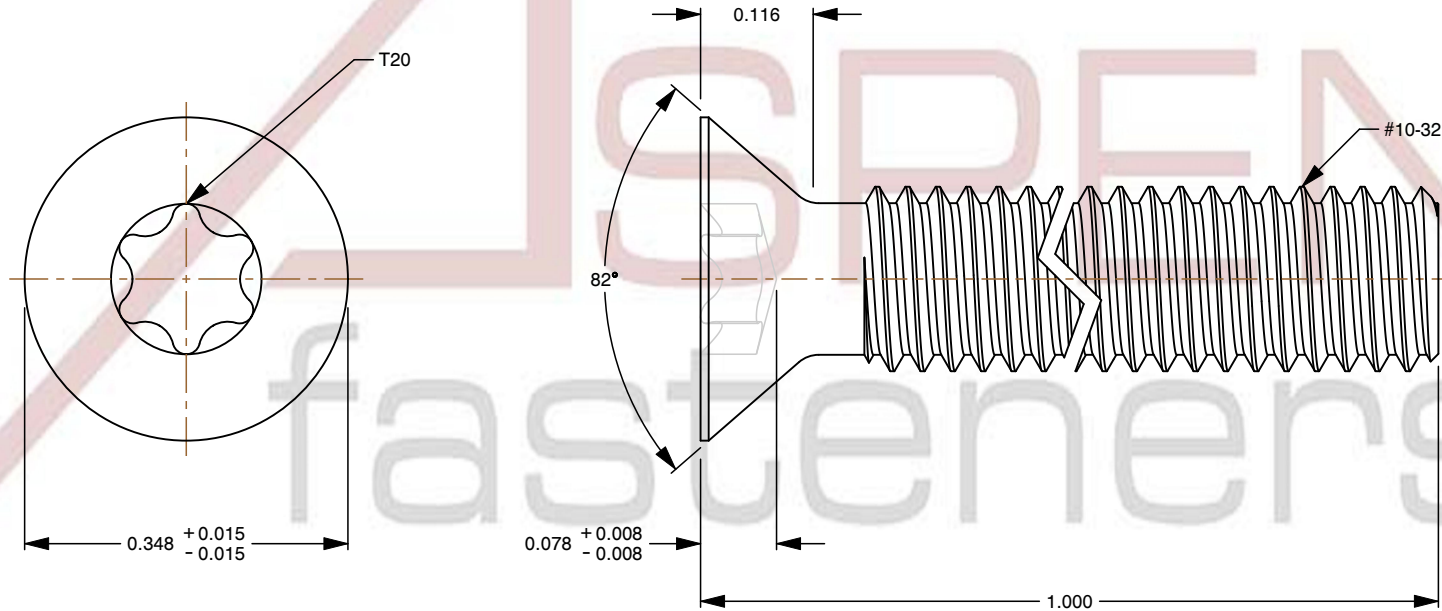
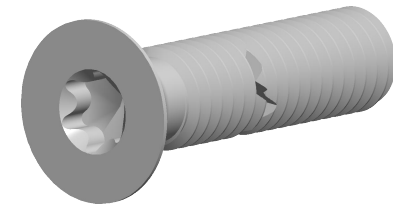


**Specifications for: #10-32 X 1" Machine Screws, Flat Head 6Lobe Torx(r) Drive, Steel, Zinc Plated**

Notes:

- Category: Machine Screws
- System of Measurement: Inch
- Head Style: Flat Countersunk Head
- Head Style Detail: 82 Degree Countersink
- Drive Style: 6Lobe Drive
- Drive Detail: Torx(r) Generic Alternative
- Thread Length: Full Thread
- Thread Direction: Right-Hand Thread
- Material: Steel
- Coating: Zinc Plated
- Coating Color: Clear
- Origin: Origin Undefined
- Standards and Specifications: SAE J82



This file and any associated information and specifications are provided for reference and evaluation purposes only and is subject to change without notice. Aspen Fasteners Inc. makes no representations, warranties, or guarantees as to the appropriateness, accuracy, completeness, or suitability for any purpose of the file, information or specifications. You are solely responsible for the use of the file, information, or specifications.

This document is the property of Aspen Fasteners Inc. and the information it contains may not be reproduced, disclosed, or shared with any third party without the expressed written permission of Aspen Fasteners Inc.

SCALE 5.056

PRODUCT NAME  
#10-32 X 1" Machine Screws, Flat Head  
6Lobe Torx(r) Drive, Steel, Zinc Plated

PART NUMBER: SC107-1032X1

UNIT  
INCHES

ISSUED  
2026-06-03

SHEET 1 of 1