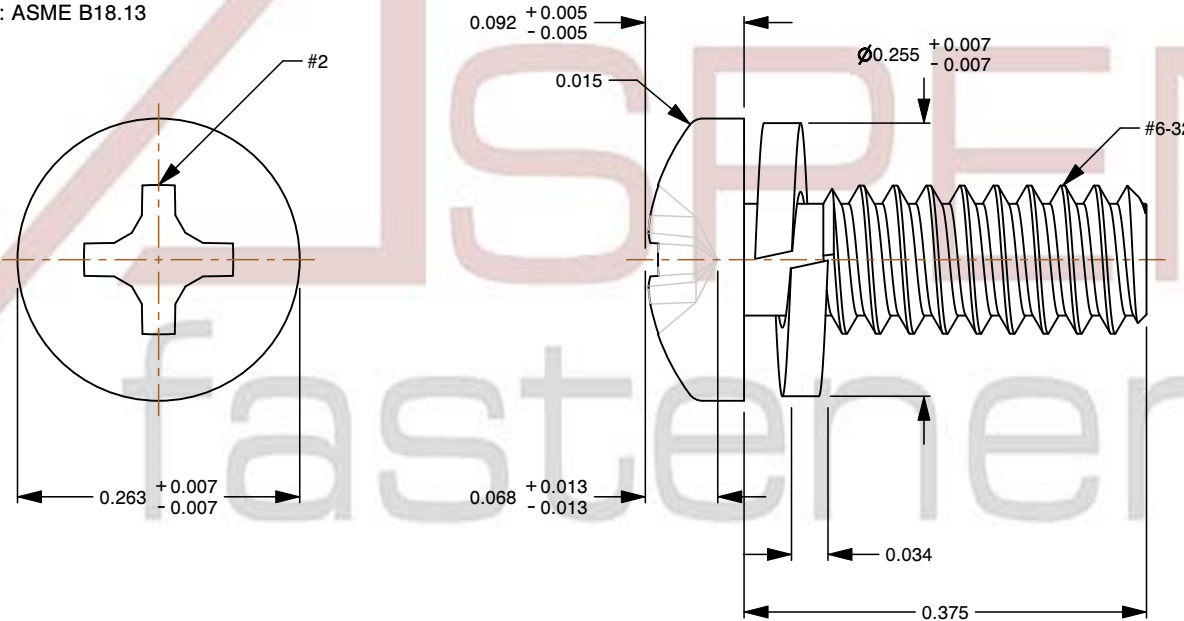
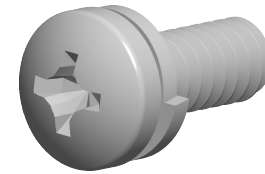



Specifications for: #6-32 X 3/8" Split Lock Washer SEMS Machine Screws, Pan Phillips Drive, Stainless Steel, Washer Material 410 Stainless Steel

Notes:

- Category: Machine Screws
- System of Measurement: Inch
- Form and Design: SEMS Screws Pre-Assembled with a Captive Lock Washer
- Head Style: Pan Head
- Head Style Detail: Free-Spinning 410 Stainless Steel Split Lock Washer
- Drive Style: Cruciform Recess Drive
- Drive Detail: Phillips Type H
- Thread Length: Full Thread
- Thread Direction: Right-Hand Thread
- Material: Stainless Steel
- Material Grade: 18-8 Stainless Steel
- Coating: Uncoated
- Origin: Origin Undefined
- Standards and Specifications: ASME B18.13



 www.aspenfasteners.com	This file and any associated information and specifications are provided for reference and evaluation purposes only and is subject to change without notice. Aspen Fasteners Inc. makes no representations, warranties, or guarantees as to the appropriateness, accuracy, completeness, or suitability for any purpose of the file, information or specifications. You are solely responsible for the use of the file, information, or specifications.	This document is the property of Aspen Fasteners Inc. and the information it contains may not be reproduced, disclosed, or shared with any third party without the expressed written permission of Aspen Fasteners Inc.	PRODUCT NAME #6-32 X 3/8" Split Lock Washer SEMS Machine Screws, Pan Phillips Drive, Stainless Steel, Washer Material 410 Stainless Steel	UNIT INCHES	
			SCALE 5.589	PART NUMBER: ST116-632X38	ISSUED 2026-06-03
			SHEET 1 of 1		