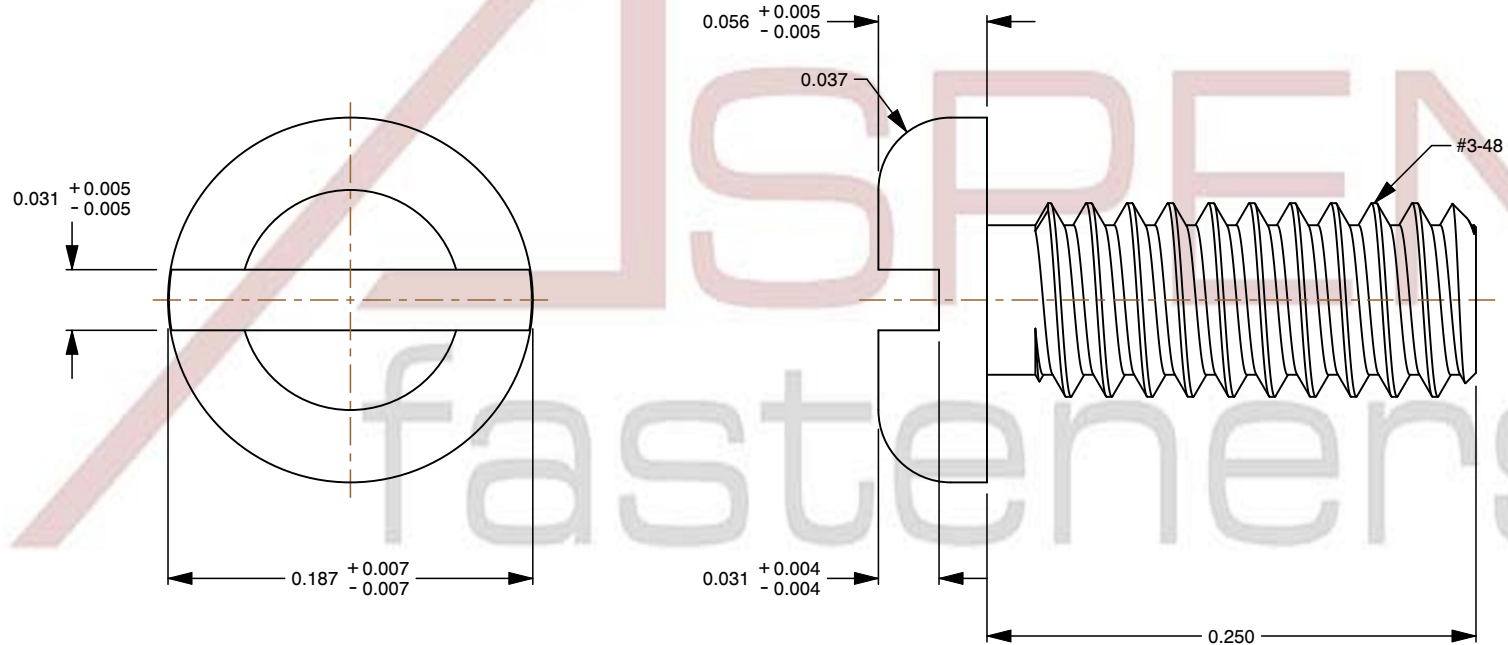
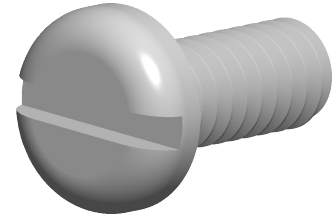



**Specifications for: #3-48 X 1/4" Machine Screws, Pan Slot Drive, Full Thread, Steel, Black Oxide**

**Notes:**

- Category: Machine Screws
- System of Measurement: Inch
- Head Style: Pan Head
- Drive Style: Slotted Drive
- Thread Length: Full Thread
- Thread Direction: Right-Hand Thread
- Material: Steel
- Coating: Oxidized
- Coating Color: Black
- Origin: Origin Undefined
- Standards and Specifications: ASME B18.6.3 and SAE J82



 www.aspenfasteners.com	This file and any associated information and specifications are provided for reference and evaluation purposes only and is subject to change without notice. Aspen Fasteners Inc. makes no representations, warranties, or guarantees as to the appropriateness, accuracy, completeness, or suitability for any purpose of the file, information or specifications. You are solely responsible for the use of the file, information, or specifications.	This document is the property of Aspen Fasteners Inc. and the information it contains may not be reproduced, disclosed, or shared with any third party without the expressed written permission of Aspen Fasteners Inc.	PRODUCT NAME #3-48 X 1/4" Machine Screws, Pan Slot Drive, Full Thread, Steel, Black Oxide	UNIT INCHES
			PART NUMBER: SC141-348X14	ISSUED 2026-06-03
		SCALE 10.188	SHEET 1 of 1	