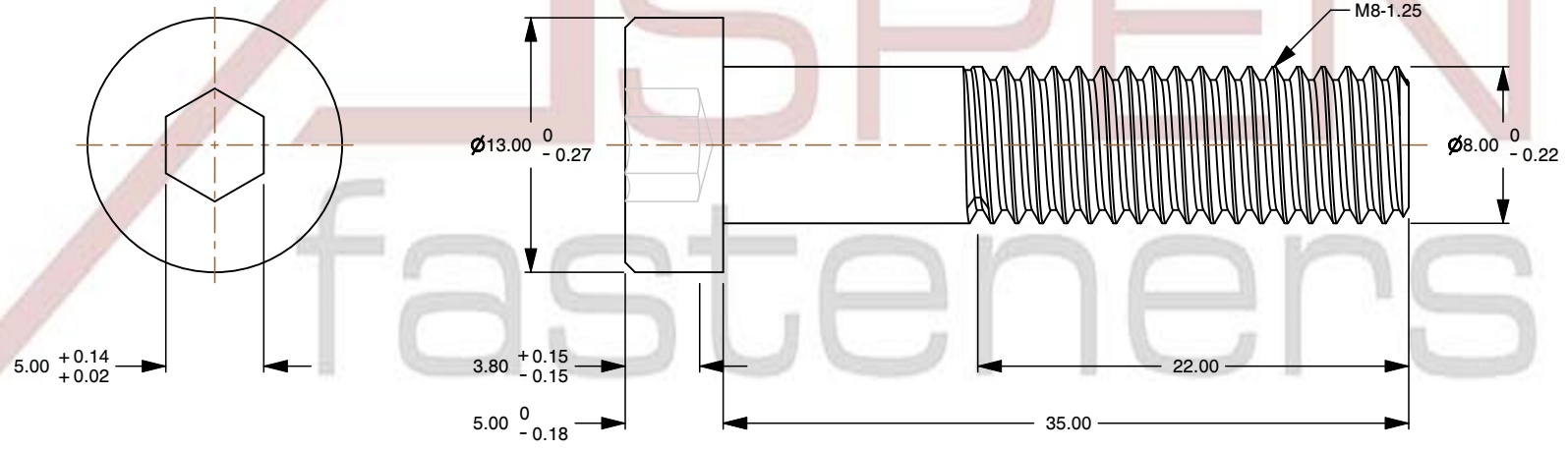
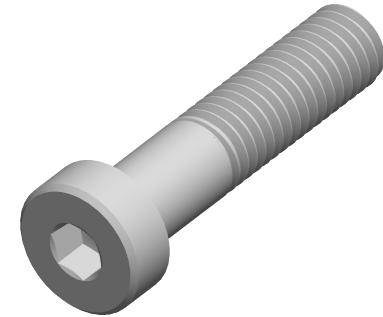


**Specifications for: M8-1.25 X 35mm DIN 7984, Metric, Low Head Hex Socket Cap Screws,
A4 Stainless Steel**

Notes:

- Category: Socket Head Cap Screws
- System of Measurement: Metric
- Head Style: Low Cylindrical Head
- Drive Style: Hex Socket Drive
- Thread Direction: Right-Hand Thread
- Material: Stainless Steel
- Material Grade: A4 Stainless Steel
- Coating: Uncoated
- Origin: Origin Undefined
- Standards and Specifications: DIN 7984



This file and any associated information and specifications are provided for reference and evaluation purposes only and is subject to change without notice. Aspen Fasteners Inc. makes no representations, warranties, or guarantees as to the appropriateness, accuracy, completeness, or suitability for any purpose of the file, information or specifications. You are solely responsible for the use of the file, information, or specifications.

This document is the property of Aspen Fasteners Inc. and the information it contains may not be reproduced, disclosed, or shared with any third party without the expressed written permission of Aspen Fasteners Inc.

SCALE 2.636

PRODUCT NAME
M8-1.25 X 35mm DIN 7984, Metric,
Low Head Hex Socket Cap Screws,
A4 Stainless Steel

PART NUMBER: ME493-8125X35

UNIT
MILLIMETERS

ISSUED
2025-09-05

SHEET 1 of 1