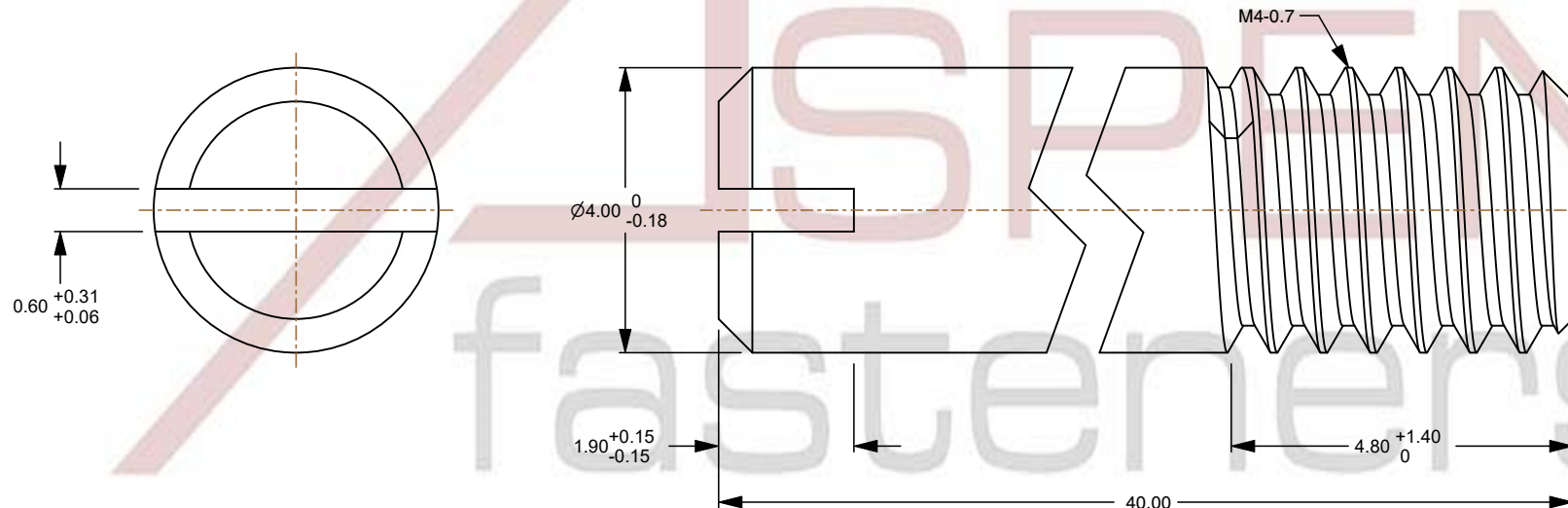
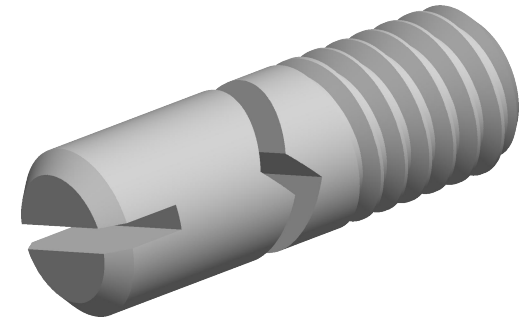


Specifications for: M4-0.7 X 40mm DIN 427 / ISO 2342, Metric, Set Screws, Slotted Drive, Part Thread, 303 Stainless Steel

Notes:

- Category: Set Screws
- System of Measurement: Metric
- Head Style: Headless
- Drive Style: Slotted Drive
- Thread Length: Part Thread
- Thread Direction: Right-Hand Thread
- Material: Stainless Steel
- Material Grade: 303 Stainless Steel
- Coating: Uncoated
- Origin: Origin Undefined
- Standards and Specifications: DIN 427 / ISO 2342



This file and any associated information and specifications are provided for reference and evaluation purposes only and is subject to change without notice. Aspen Fasteners Inc. makes no representations, warranties, or guarantees as to the appropriateness, accuracy, completeness, or suitability for any purpose of the file, information or specifications. You are solely responsible for the use of the file, information, or specifications.

This document is the property of Aspen Fasteners Inc. and the information it contains may not be reproduced, disclosed, or shared with any third party without the expressed written permission of Aspen Fasteners Inc.

SCALE 9.684

PRODUCT NAME
M4-0.7 X 40mm DIN 427 / ISO 2342, Metric,
Set Screws, Slotted Drive, Part Thread,
303 Stainless Steel

PART NUMBER: ME515-407X40

UNIT
MILLIMETERS

ISSUED
2025-05-28

SHEET 1 of 1