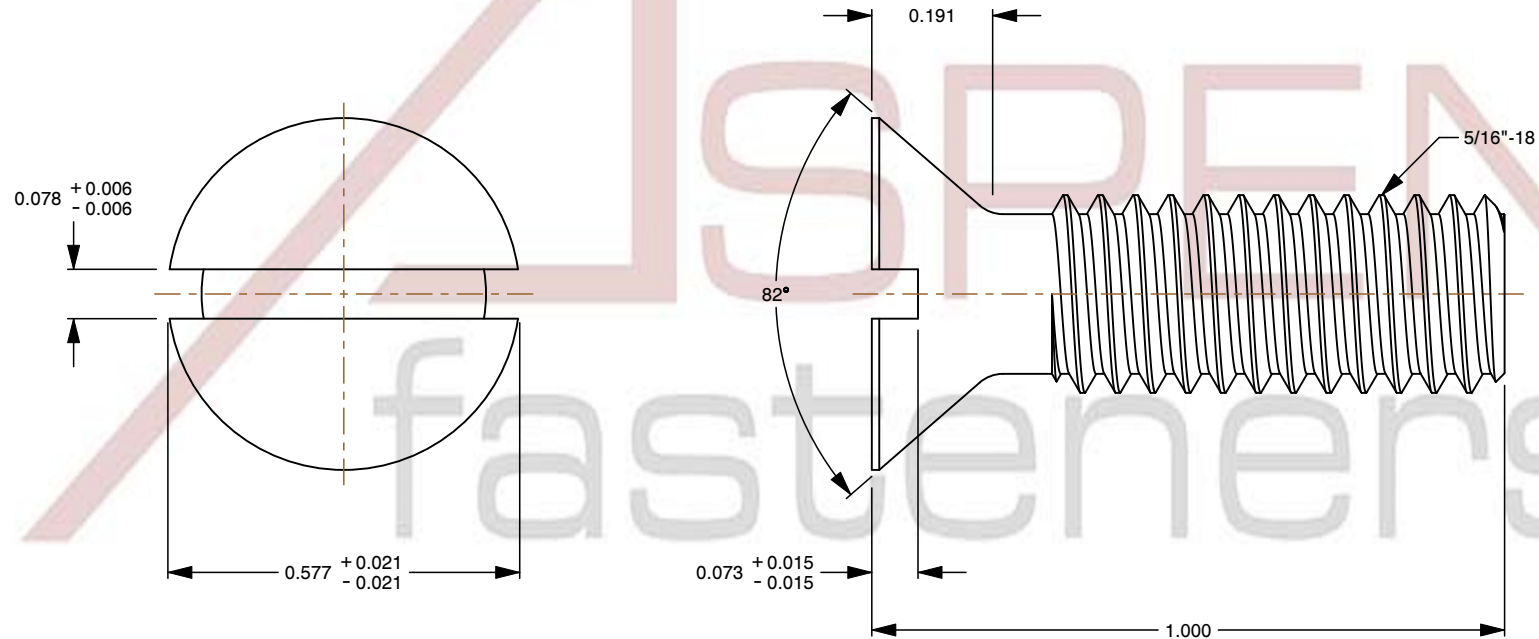
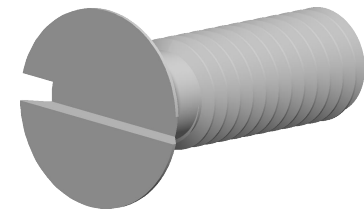


**Specifications for: 5/16"-18 X 1" Machine Screws, Flat Slot Drive, 82 Degree Countersink, Full Thread, Silicon Bronze**

**Notes:**

- Category: Machine Screws
- System of Measurement: Inch
- Head Style: Flat Countersunk Head
- Head Style Detail: 82 Degree Countersink
- Drive Style: Slotted Drive
- Thread Length: Full Thread
- Thread Direction: Right-Hand Thread
- Material: Silicon Bronze
- Coating: Uncoated
- Origin: Origin Undefined



This file and any associated information and specifications are provided for reference and evaluation purposes only and is subject to change without notice. Aspen Fasteners Inc. makes no representations, warranties, or guarantees as to the appropriateness, accuracy, completeness, or suitability for any purpose of the file, information or specifications. You are solely responsible for the use of the file, information, or specifications.

This document is the property of Aspen Fasteners Inc. and the information it contains may not be reproduced, disclosed, or shared with any third party without the expressed written permission of Aspen Fasteners Inc.

SCALE 3.296

PRODUCT NAME  
5/16"-18 X 1" Machine Screws, Flat Slot Drive,  
82 Degree Countersink, Full Thread,  
Silicon Bronze

PART NUMBER: SC558-51618X1

UNIT  
INCHES

ISSUED  
2026-06-03

SHEET 1 of 1