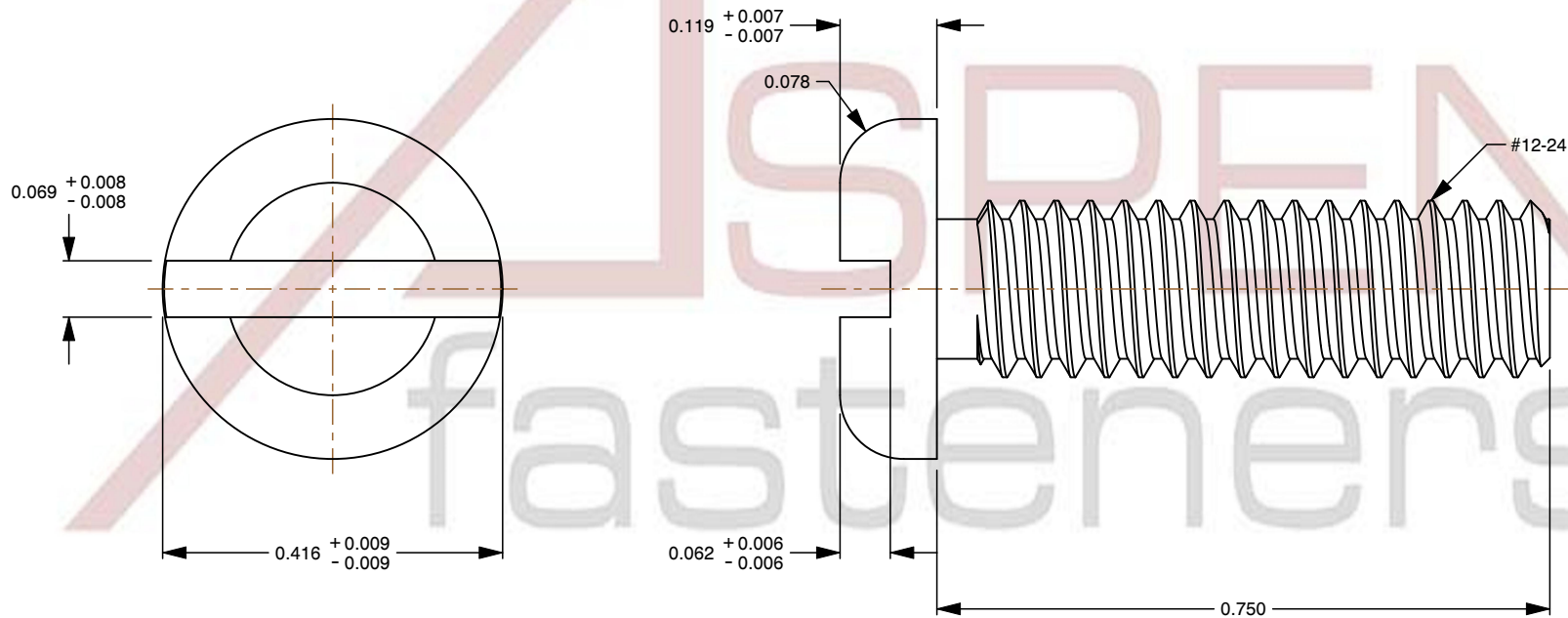
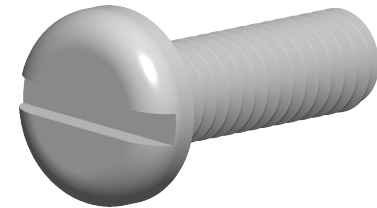


Specifications for: #12-24 X 3/4" Machine Screws, Pan Slot Drive, Full Thread, Brass

Notes:

- Category: Machine Screws
- System of Measurement: Inch
- Head Style: Pan Head
- Drive Style: Slotted Drive
- Thread Length: Full Thread
- Thread Direction: Right-Hand Thread
- Material: Brass
- Coating: Uncoated
- Origin: Origin Undefined



This file and any associated information and specifications are provided for reference and evaluation purposes only and is subject to change without notice. Aspen Fasteners Inc. makes no representations, warranties, or guarantees as to the appropriateness, accuracy, completeness, or suitability for any purpose of the file, information or specifications. You are solely responsible for the use of the file, information, or specifications.

This document is the property of Aspen Fasteners Inc. and the information it contains may not be reproduced, disclosed, or shared with any third party without the expressed written permission of Aspen Fasteners Inc.

SCALE 4.360

PRODUCT NAME
#12-24 X 3/4" Machine Screws, Pan Slot Drive, Full Thread, Brass

PART NUMBER: SC566-N1224X34

UNIT
INCHES

ISSUED
2026-06-03

SHEET 1 of 1