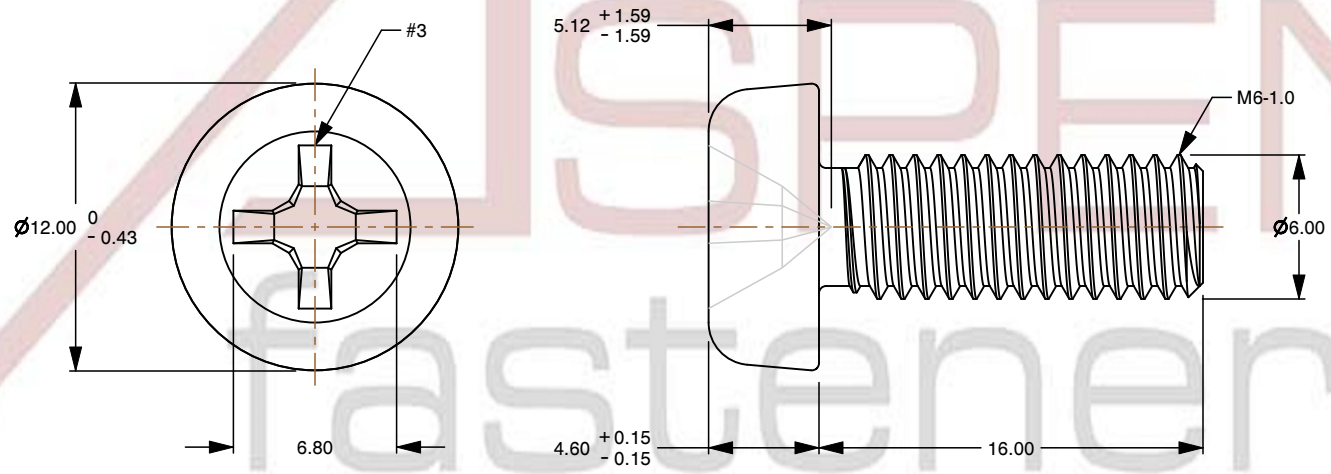
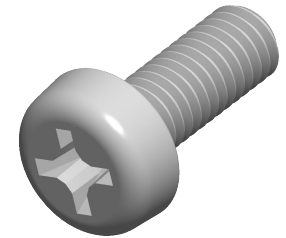


Specifications for: M6-1.0 X 16mm DIN 7985A / ISO 7045, Metric, Machine Screws, Pan Phillips Drive, Full Thread, Class 4.8 Steel, Black Oxide

Notes:

- Category: Machine Screws
- Head Style: Pan Head
- System of Measurement: Metric
- Drive Style: Cruciform Recess Drive
- Drive Detail: Phillips Type H
- Thread Length: Full Thread
- Thread Direction: Right-Hand Thread
- Material: Steel
- Material Grade: Class 4.8 Steel
- Coating: Oxidized
- Coating Color: Black
- Standards and Specifications: DIN 7985A / ISO 7045



This file and any associated information and specifications are provided for reference and evaluation purposes only and is subject to change without notice. Aspen Fasteners Inc. makes no representations, warranties, or guarantees as to the appropriateness, accuracy, completeness, or suitability for any purpose of the file, information or specifications. You are solely responsible for the use of the file, information, or specifications.

This document is the property of Aspen Fasteners Inc. and the information it contains may not be reproduced, disclosed, or shared with any third party without the expressed written permission of Aspen Fasteners Inc.

SCALE 3.175

PRODUCT NAME
M6-1.0 X 16mm DIN 7985A / ISO 7045,
Metric, Machine Screws, Pan Phillips Drive,
Full Thread, Class 4.8 Steel, Black Oxide

PART NUMBER: ME033-610X16

UNIT
MILLIMETERS

ISSUED
2025-02-20

SHEET 1 of 1