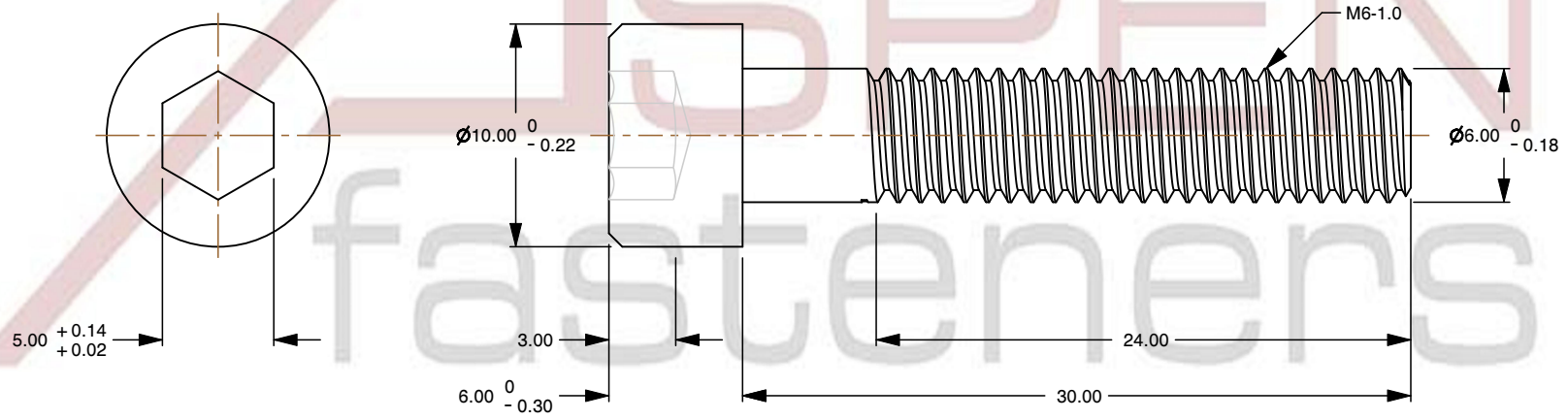
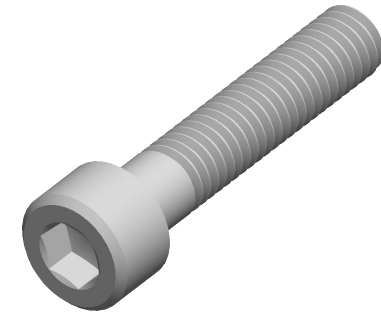


**Specifications for: M6-1.0 X 30mm DIN 912 / ISO 4762, Metric, Hex Socket Head Cap Screws,  
A4 Stainless Steel**

Notes:

- Category: Socket Head Cap Screws
- System of Measurement: Metric
- Head Style: Cylindrical Head
- Drive Style: Hex Socket Drive
- Thread Direction: Right-Hand Thread
- Material: Stainless Steel
- Material Grade: A4 Stainless Steel
- Coating: Uncoated
- Origin: Origin Undefined
- Standards and Specifications: DIN 912 / ISO 4762



This file and any associated information and specifications are provided for reference and evaluation purposes only and is subject to change without notice. Aspen Fasteners Inc. makes no representations, warranties, or guarantees as to the appropriateness, accuracy, completeness, or suitability for any purpose of the file, information or specifications. You are solely responsible for the use of the file, information, or specifications.

This document is the property of Aspen Fasteners Inc. and the information it contains may not be reproduced, disclosed, or shared with any third party without the expressed written permission of Aspen Fasteners Inc.

SCALE 3.037

PRODUCT NAME  
M6-1.0 X 30mm DIN 912 / ISO 4762,  
Metric, Hex Socket Head Cap Screws,  
A4 Stainless Steel

PART NUMBER: ME242-610X30

UNIT  
MILLIMETERS

ISSUED  
2025-09-05

SHEET 1 of 1