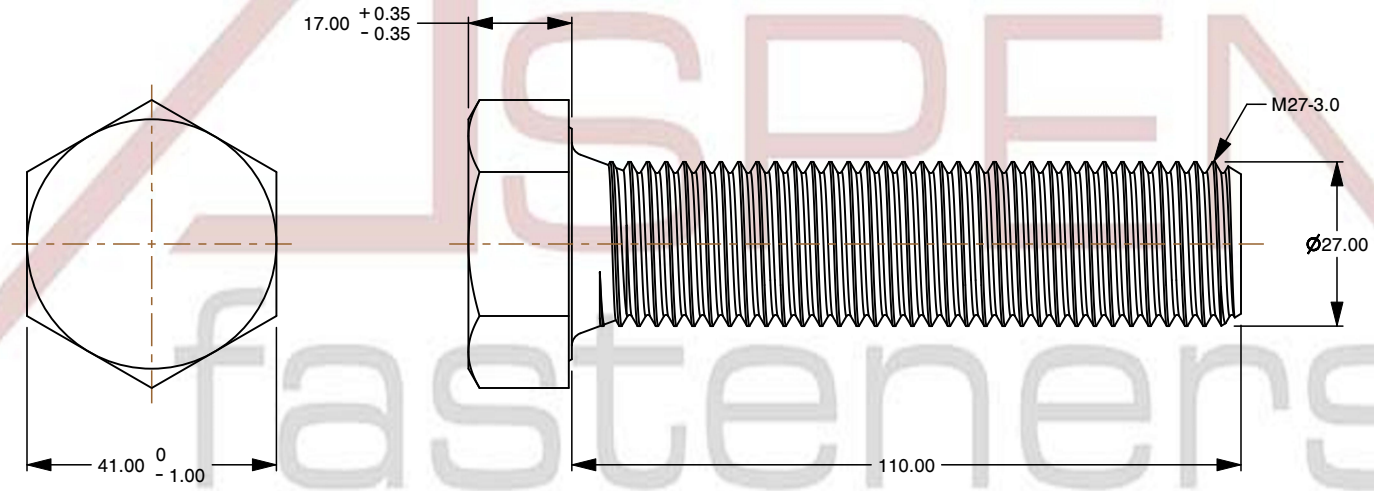
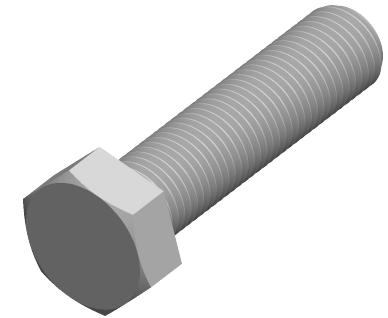


**Specifications for: M27-3.0 X 110mm DIN 933 / ISO 4017, Metric, Hex Head Cap Screws Bolts, Full Thread, A4 Stainless Steel**

Notes:

- Category: Cap Screws
- Head Style: Hex Head
- System of Measurement: Metric
- Head Style Detail: Washer Face
- Drive Style: External Hex Drive
- Pitch: Coarse Thread
- Thread Length: Full Thread
- Thread Direction: Right-Hand Thread
- Point: Chamfered Point
- Material: Stainless Steel
- Material Grade: A4 Stainless Steel
- Coating: Uncoated
- Standards and Specifications: DIN 933 / ISO 4017



This file and any associated information and specifications are provided for reference and evaluation purposes only and is subject to change without notice. Aspen Fasteners Inc. makes no representations, warranties, or guarantees as to the appropriateness, accuracy, completeness, or suitability for any purpose of the file, information or specifications. You are solely responsible for the use of the file, information, or specifications.

This document is the property of Aspen Fasteners Inc. and the information it contains may not be reproduced, disclosed, or shared with any third party without the expressed written permission of Aspen Fasteners Inc.

SCALE 0.805

PRODUCT NAME  
M27-3.0 X 110mm DIN 933 / ISO 4017, Metric,  
Hex Head Cap Screws Bolts, Full Thread,  
A4 Stainless Steel

PART NUMBER: ME174-2730X110

UNIT  
MILLIMETERS

ISSUED  
2025-02-20

SHEET 1 of 1