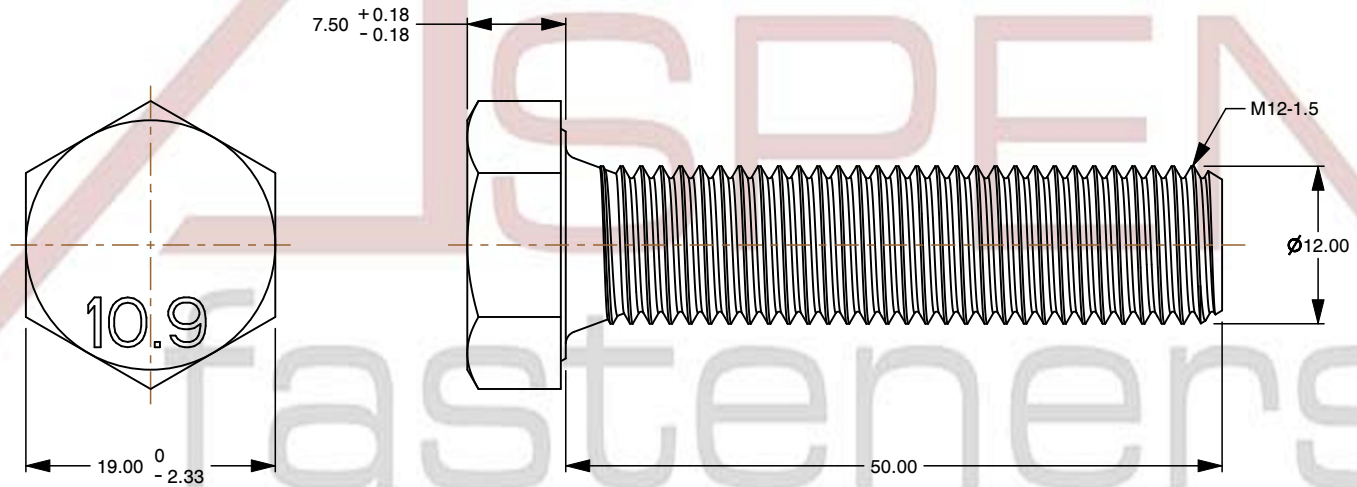
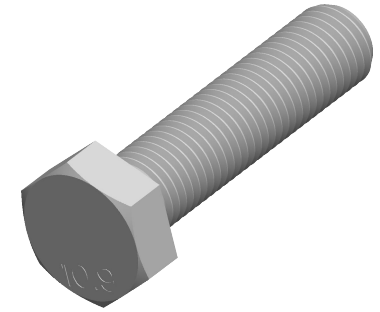



Specifications for: M12-1.5 X 50mm DIN 961, Metric, Hex Head Cap Screws Bolts, Fine Thread, Full Thread, Class 10.9 Steel, Plain

Notes:

- Category: Cap Screws
- Head Style: Hex Head
- System of Measurement: Metric
- Head Style Detail: Washer Face
- Drive Style: External Hex Drive
- Pitch: Fine Thread
- Thread Length: Full Thread
- Thread Direction: Right-Hand Thread
- Point: Chamfered Point
- Material: Steel
- Material Grade: Class 10.9 Steel
- Coating: Uncoated
- Standards and Specifications: DIN 961



 www.aspenfasteners.com	This file and any associated information and specifications are provided for reference and evaluation purposes only and is subject to change without notice. Aspen Fasteners Inc. makes no representations, warranties, or guarantees as to the appropriateness, accuracy, completeness, or suitability for any purpose of the file, information or specifications. You are solely responsible for the use of the file, information, or specifications.	This document is the property of Aspen Fasteners Inc. and the information it contains may not be reproduced, disclosed, or shared with any third party without the expressed written permission of Aspen Fasteners Inc.	PRODUCT NAME M12-1.5 X 50mm DIN 961, Metric, Hex Head Cap Screws Bolts, Fine Thread, Full Thread, Class 10.9 Steel, Plain	UNIT MILLIMETERS
			SCALE 1.737	PART NUMBER: ME189-1215X50