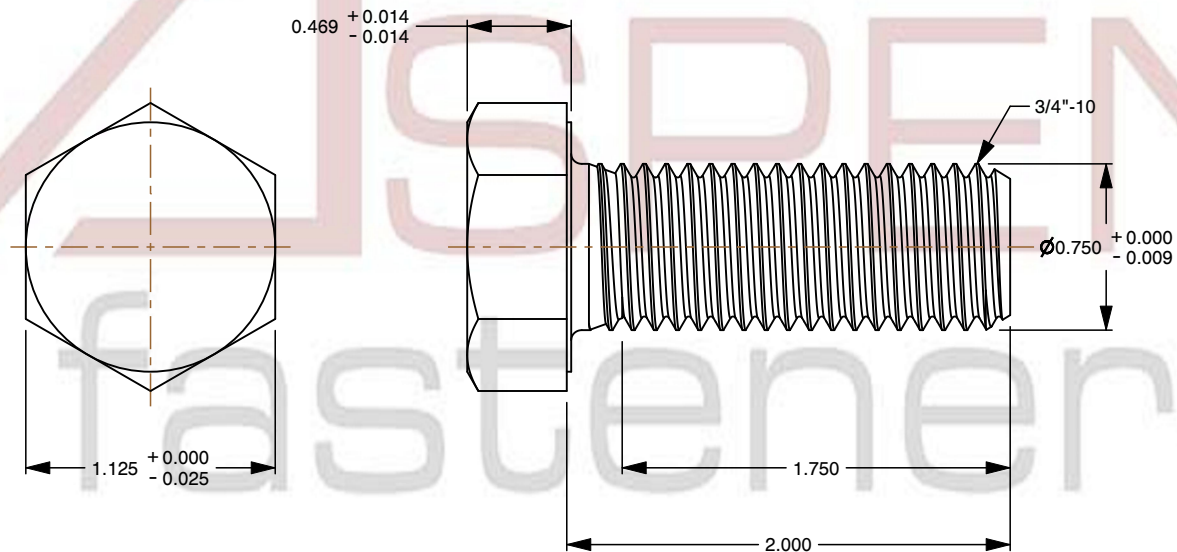
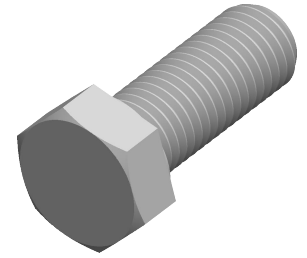


Specifications for: 3/4"-10 X 2" Hex Head Cap Screws Bolts, Monel Nickel Copper Alloy 400, ASTM F468 and MILS1222H, DFARS

Notes:

- Category: Cap Screws
- Head Style: Hex Head
- System of Measurement: Inch
- Head Style Detail: Washer Face
- Drive Style: External Hex Drive
- Thread Direction: Right-Hand Thread
- Point: Chamfered Point
- Material: Monel Nickel Copper Alloy
- Material Grade: Monel Nickel Copper Alloy 400
- Coating: Uncoated
- Standards and Specifications: ASTM F468 and MILS1222H, DFARS



This file and any associated information and specifications are provided for reference and evaluation purposes only and is subject to change without notice. Aspen Fasteners Inc. makes no representations, warranties, or guarantees as to the appropriateness, accuracy, completeness, or suitability for any purpose of the file, information or specifications. You are solely responsible for the use of the file, information, or specifications.

This document is the property of Aspen Fasteners Inc. and the information it contains may not be reproduced, disclosed, or shared with any third party without the expressed written permission of Aspen Fasteners Inc.

SCALE 1.155

PRODUCT NAME
3/4"-10 X 2" Hex Head Cap Screws Bolts,
Monel Nickel Copper Alloy 400,
ASTM F468 and MILS1222H, DFARS

PART NUMBER: MI029-3410X2

UNIT
INCHES

ISSUED
2025-01-26

SHEET 1 of 1