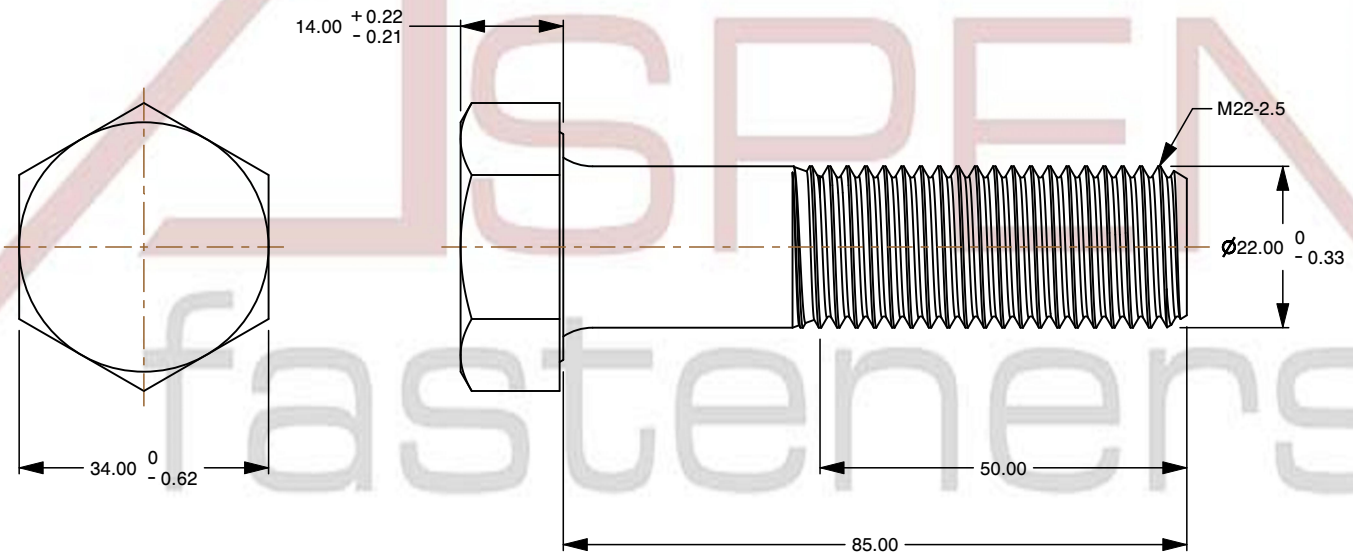
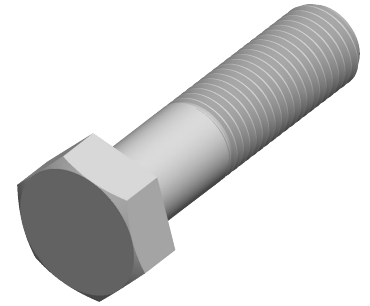


Specifications for: M22-2.5 X 85mm ISO 4014, Metric, Hex Head Cap Screws Bolts, Part Thread, A2 Stainless Steel

Notes:

- Category: Cap Screws
- Head Style: Hex Head
- System of Measurement: Metric
- Head Style Detail: Washer Face
- Drive Style: External Hex Drive
- Pitch: Coarse Thread
- Thread Length: Part Thread
- Thread Direction: Right-Hand Thread
- Point: Chamfered Point
- Material: Stainless Steel
- Material Grade: A2 Stainless Steel
- Coating: Uncoated
- Standards and Specifications: ISO 4014



This file and any associated information and specifications are provided for reference and evaluation purposes only and is subject to change without notice. Aspen Fasteners Inc. makes no representations, warranties, or guarantees as to the appropriateness, accuracy, completeness, or suitability for any purpose of the file, information or specifications. You are solely responsible for the use of the file, information, or specifications.

This document is the property of Aspen Fasteners Inc. and the information it contains may not be reproduced, disclosed, or shared with any third party without the expressed written permission of Aspen Fasteners Inc.

PRODUCT NAME
M22-2.5 X 85mm ISO 4014, Metric,
Hex Head Cap Screws Bolts, Part Thread,
A2 Stainless Steel

UNIT
MILLIMETERS

ISSUED
2025-01-26

SCALE 0.970

PART NUMBER: ME507-2225X85

SHEET 1 of 1