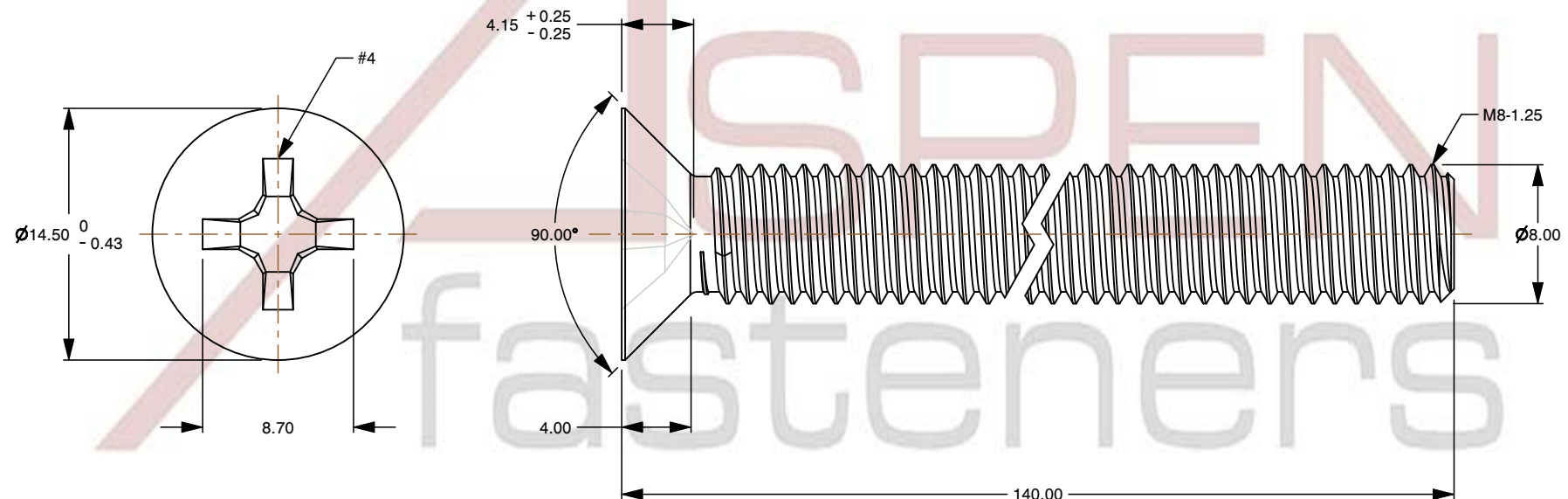
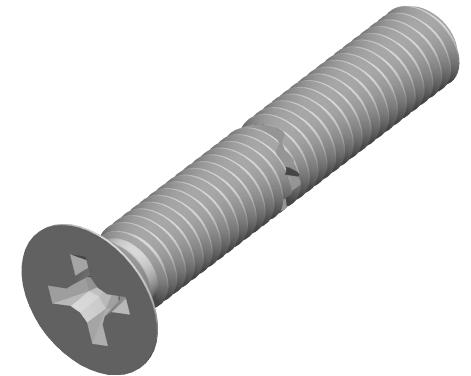


**Specifications for: M8-1.25 X 140mm DIN 965 / ISO 7046, Metric, Machine Screws, Flat Phillips Drive, Full Thread, A2 Stainless Steel**

Notes:

- Category: Machine Screws
- Head Style: Flat Countersunk Head
- System of Measurement: Metric
- Head Style Detail: 90 Degree Countersink
- Drive Style: Cruciform Recess Drive
- Drive Detail: Phillips Type H
- Thread Length: Full Thread
- Thread Direction: Right-Hand Thread
- Material: Stainless Steel
- Material Grade: A2 Stainless Steel
- Coating: Uncoated
- Standards and Specifications: DIN 965 / ISO 7046



This file and any associated information and specifications are provided for reference and evaluation purposes only and is subject to change without notice. Aspen Fasteners Inc. makes no representations, warranties, or guarantees as to the appropriateness, accuracy, completeness, or suitability for any purpose of the file, information or specifications. You are solely responsible for the use of the file, information, or specifications.

This document is the property of Aspen Fasteners Inc. and the information it contains may not be reproduced, disclosed, or shared with any third party without the expressed written permission of Aspen Fasteners Inc.

SCALE 2.628

PRODUCT NAME  
M8-1.25 X 140mm DIN 965 / ISO 7046, Metric,  
Machine Screws, Flat Phillips Drive,  
Full Thread, A2 Stainless Steel

PART NUMBER: ME202-8125X140

UNIT  
MILLIMETERS

ISSUED  
2025-02-20

SHEET 1 of 1