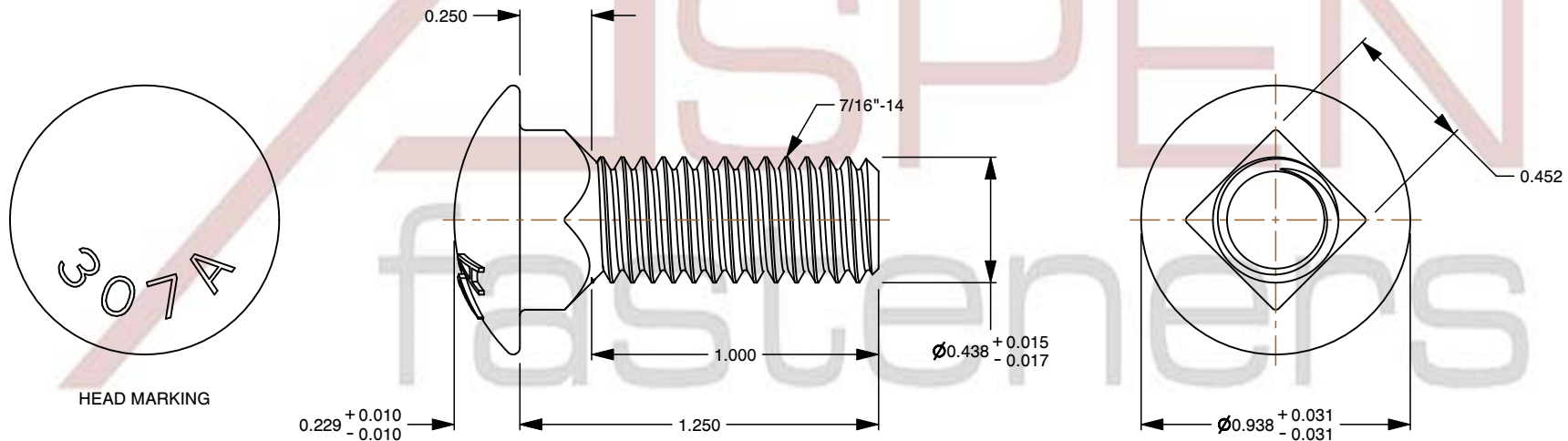
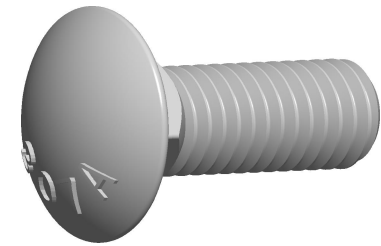



Specifications for: 7/16"-14 X 1-1/4" Carriage Bolts, Round Head, Square Neck, Full Thread, A307 Steel, Zinc

Notes:

- Category: Carriage Bolts
- Head Style: Round Head
- System of Measurement: Inch
- Head Style Detail: Square Neck
- Head Markings: Material Grade Mark "A307"
- Thread Length: Full Thread
- Thread Direction: Right-Hand Thread
- Material: Steel
- Material Grade: A307 Steel
- Coating: Zinc Plated
- Coating Color: Clear
- Standards and Specifications: ASME B18.5



 www.aspenfasteners.com	This file and any associated information and specifications are provided for reference and evaluation purposes only and is subject to change without notice. Aspen Fasteners Inc. makes no representations, warranties, or guarantees as to the appropriateness, accuracy, completeness, or suitability for any purpose of the file, information or specifications. You are solely responsible for the use of the file, information, or specifications.	This document is the property of Aspen Fasteners Inc. and the information it contains may not be reproduced, disclosed, or shared with any third party without the expressed written permission of Aspen Fasteners Inc.	PRODUCT NAME 7/16"-14 X 1-1/4" Carriage Bolts, Round Head, Square Neck, Full Thread, A307 Steel, Zinc	UNIT INCHES
			SCALE 1.639	PART NUMBER: BO009-71614X114
			SHEET 1 of 1	