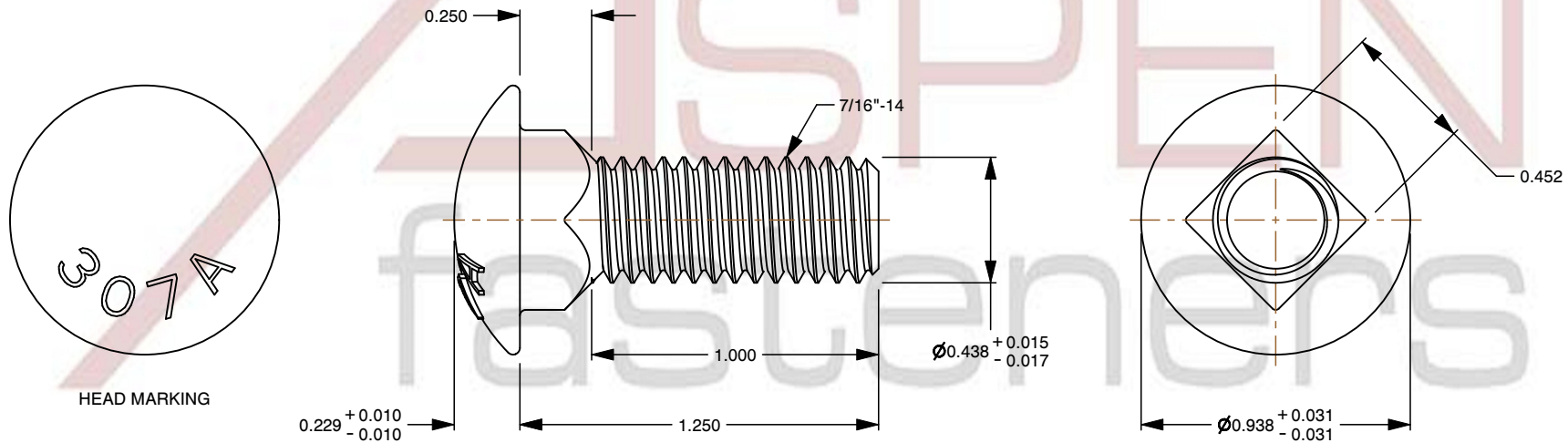
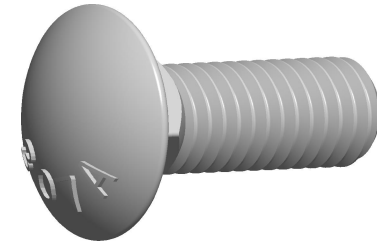


**Specifications for: 7/16"-14 X 1-1/4" Carriage Bolts, Round Head, Square Neck, Full Thread, A307 Steel, Plain**

Notes:

- Category: Carriage Bolts
- Head Style: Round Head
- System of Measurement: Inch
- Head Style Detail: Square Neck
- Head Markings: Material Grade Mark "A307"
- Body Style: Undersized Body
- Thread Length: Full Thread
- Thread Direction: Right-Hand Thread
- Material: Steel
- Material Grade: A307 Steel
- Coating: Uncoated
- Standards and Specifications: ASME B18.5



This file and any associated information and specifications are provided for reference and evaluation purposes only and is subject to change without notice. Aspen Fasteners Inc. makes no representations, warranties, or guarantees as to the appropriateness, accuracy, completeness, or suitability for any purpose of the file, information or specifications. You are solely responsible for the use of the file, information, or specifications.

This document is the property of Aspen Fasteners Inc. and the information it contains may not be reproduced, disclosed, or shared with any third party without the expressed written permission of Aspen Fasteners Inc.

SCALE 1.639

PRODUCT NAME  
7/16"-14 X 1-1/4" Carriage Bolts, Round Head,  
Square Neck, Full Thread, A307 Steel, Plain

PART NUMBER: BO048-71614X114

UNIT  
INCHES

ISSUED  
2025-02-20

SHEET 1 of 1