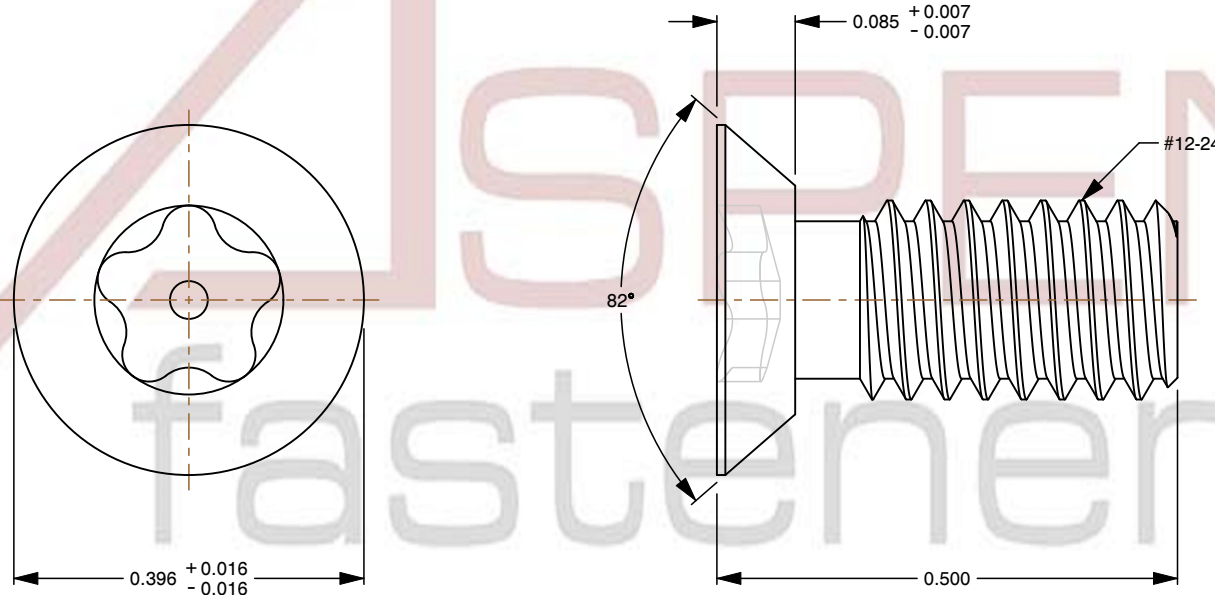
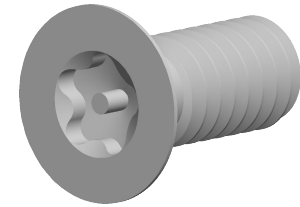



**Specifications for: #12-24 X 1/2" Machine Screws, Flat Countersunk Undercut Head Tamper-Resistant Torx Plus(r)
Pin Drive, Alloy Steel**

Notes:

- Category: Machine Screws
- System of Measurement: Inch
- Head Style: Flat Countersunk Undercut Head
- Head Style Detail: 82 Degree Countersink
- Drive Style: Tamper-Resistant 5Lobe Pin Drive
- Drive Detail: Torx Plus(r) Brand
- Thread Length: Full Thread
- Thread Direction: Right-Hand Thread
- Material: Steel
- Material Grade: Alloy Steel
- Coating: Uncoated
- Origin: Made in U.S.A.



 www.aspenfasteners.com	This file and any associated information and specifications are provided for reference and evaluation purposes only and is subject to change without notice. Aspen Fasteners Inc. makes no representations, warranties, or guarantees as to the appropriateness, accuracy, completeness, or suitability for any purpose of the file, information or specifications. You are solely responsible for the use of the file, information, or specifications.	This document is the property of Aspen Fasteners Inc. and the information it contains may not be reproduced, disclosed, or shared with any third party without the expressed written permission of Aspen Fasteners Inc.	PRODUCT NAME #12-24 X 1/2" Machine Screws, Flat Countersunk Undercut Head Tamper-Resistant Torx Plus(r) Pin Drive, Alloy Steel	UNIT INCHES
			SCALE 4.798	PART NUMBER: TR045-1224X1220