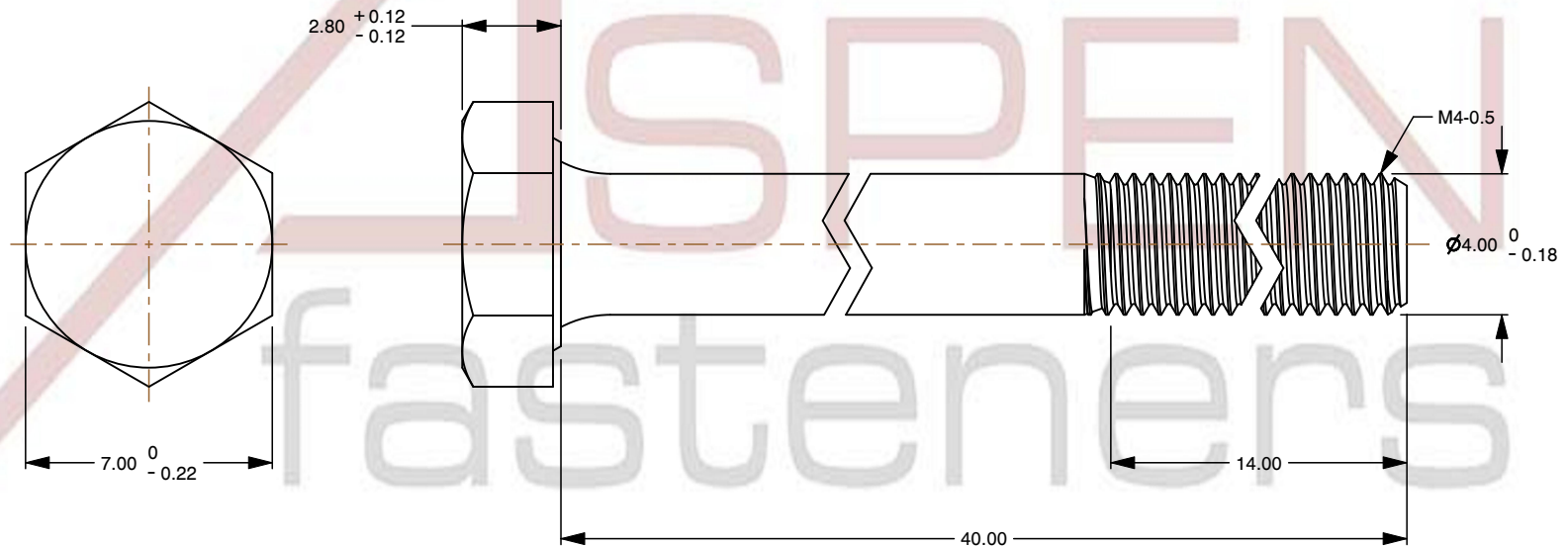
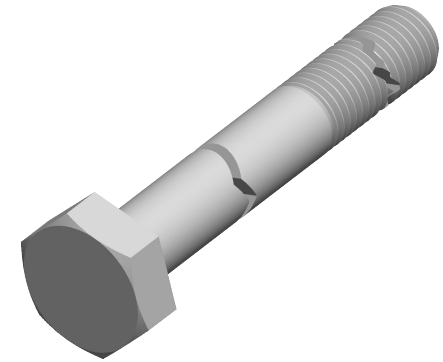


**Specifications for: M4-0.5 X 40mm DIN 960, Metric, Hex Head Cap Screws Bolts, Part Thread, Titanium Grade 2**

**Notes:**

- Category: Cap Screws
- Head Style: Hex Head
- System of Measurement: Metric
- Head Style Detail: Washer Face
- Drive Style: External Hex Drive
- Pitch: Fine Thread
- Thread Length: Part Thread
- Thread Direction: Right-Hand Thread
- Point: Chamfered Point
- Material: Titanium
- Material Grade: Grade 2
- Material Processes: Polished
- Coating: Uncoated
- Standards and Specifications: DIN 960



This file and any associated information and specifications are provided for reference and evaluation purposes only and is subject to change without notice. Aspen Fasteners Inc. makes no representations, warranties, or guarantees as to the appropriateness, accuracy, completeness, or suitability for any purpose of the file, information or specifications. You are solely responsible for the use of the file, information, or specifications.

This document is the property of Aspen Fasteners Inc. and the information it contains may not be reproduced, disclosed, or shared with any third party without the expressed written permission of Aspen Fasteners Inc.

SCALE 4.714

PRODUCT NAME  
M4-0.5 X 40mm DIN 960, Metric,  
Hex Head Cap Screws Bolts, Part Thread,  
Titanium Grade 2

PART NUMBER: TI007-405X40

UNIT  
MILLIMETERS

ISSUED  
2025-01-26

SHEET 1 of 1